

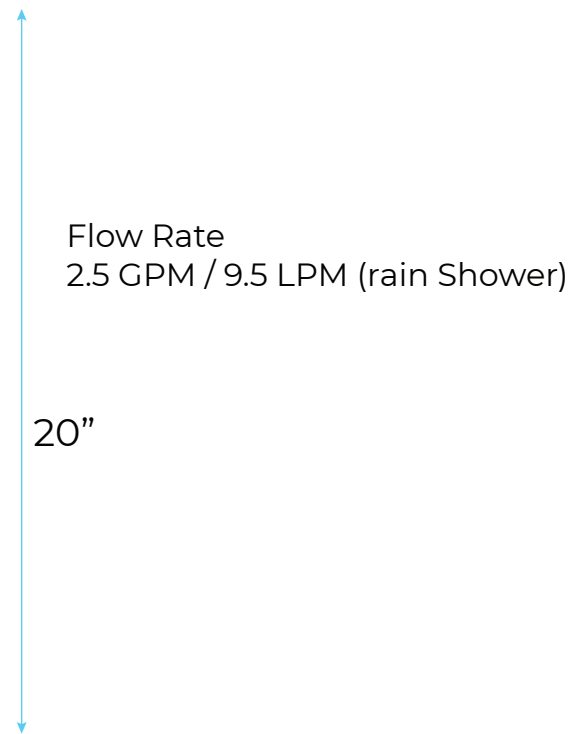
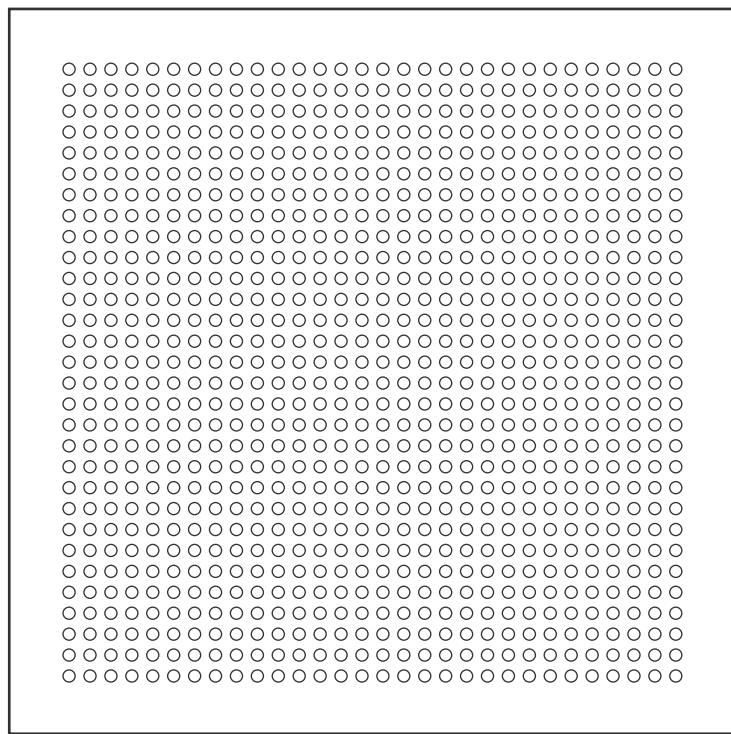
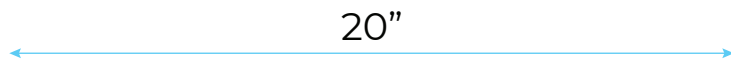
FONTANA DAX THERMOSTATIC 20" BATHROOM SHOWER HEAD WITH 3 WAYS INTELLIGENT DIGITAL CONCEALED SHOWER MIXER SYSTEM SPECS



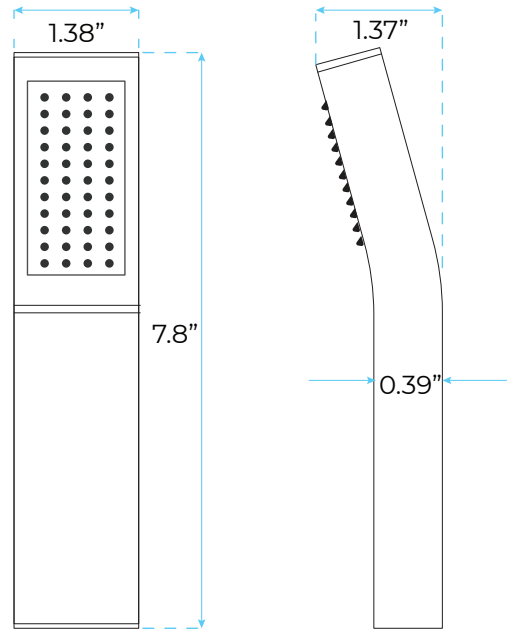
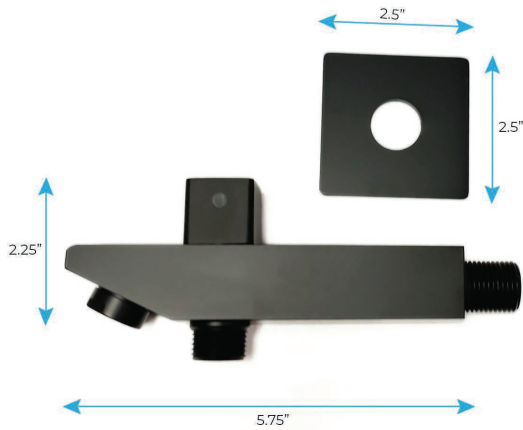
Specifications

- Spray Pattern: Rain
- Installation Type: Wall Mounted
- Valve Type: Thermostatic
- Style: Contemporary/Modern
- Feature: Anti-Scald
- Shower Head Diameter/Width: 20"

Shower Head Size:



Hand Shower Size:



The minimum required water pressure is 0.05 MPa (0.5 bar).
Flow rate 2.5 GPM (9.5 LPM).

Mixer Size:

